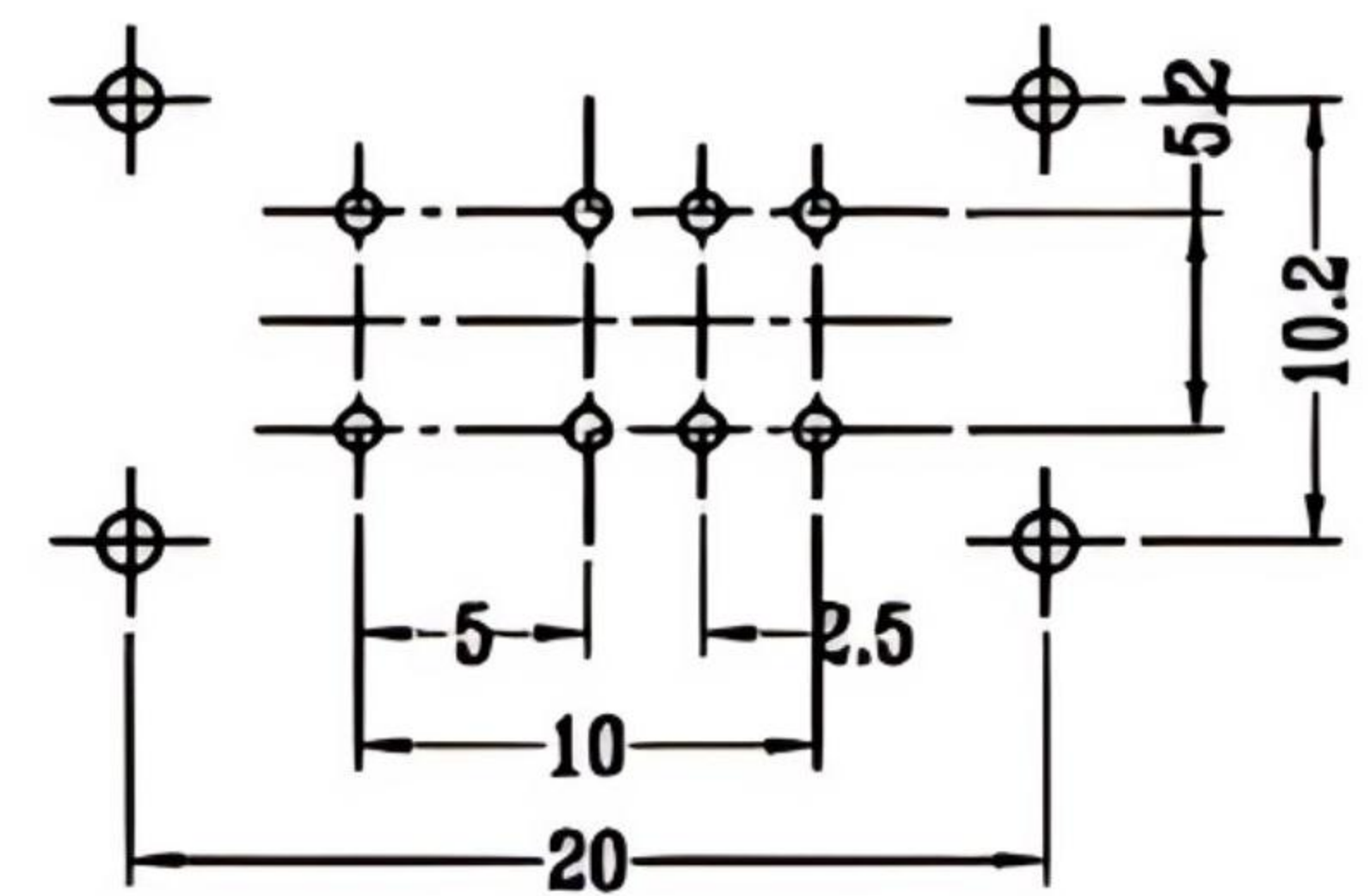
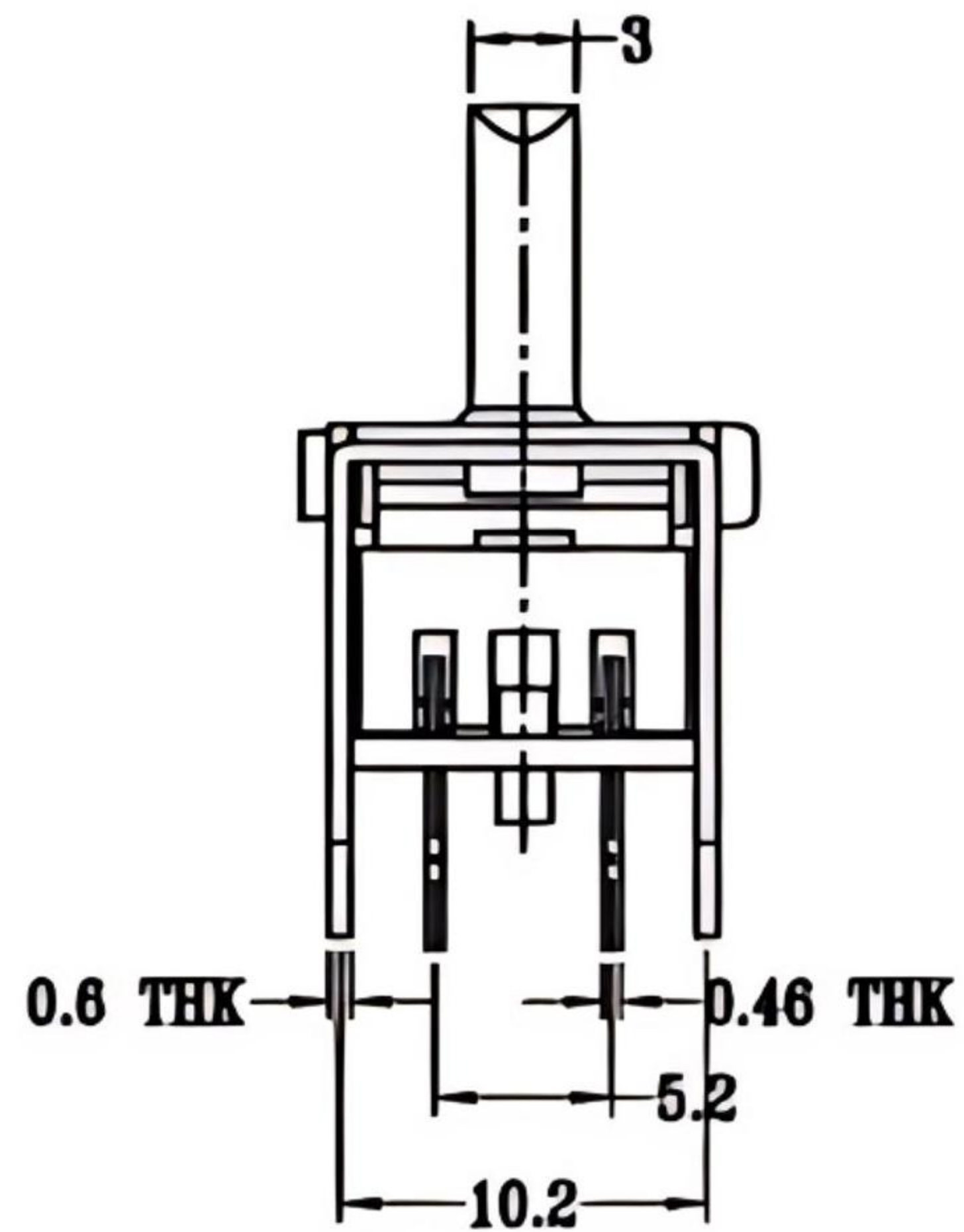
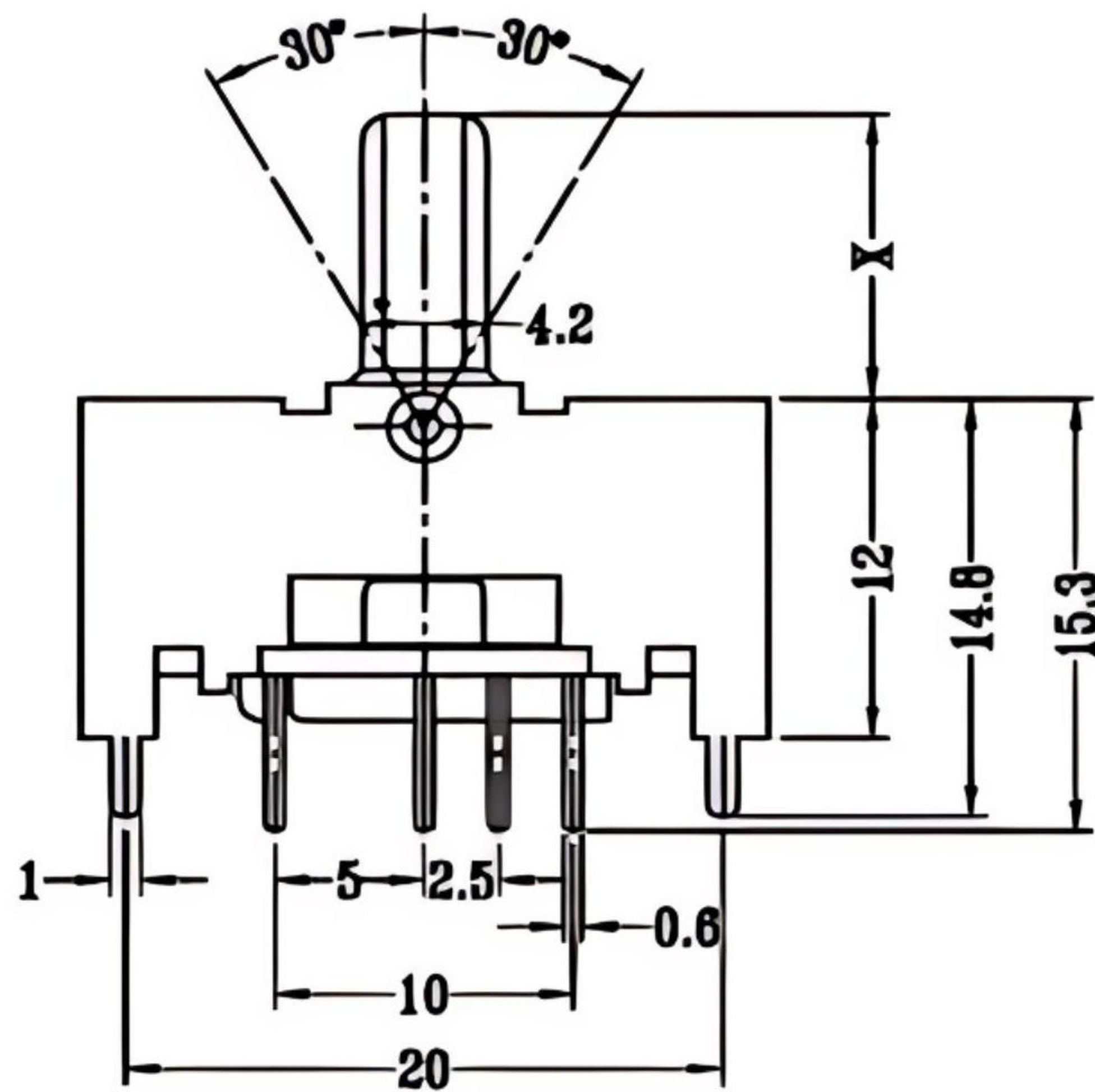


**SCHEMATIC (SHORTING)**



**P.C.B. LAYOUT**

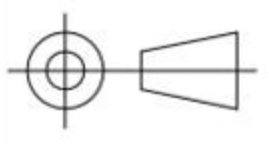


**東莞市高迪電子有限公司**  
**DONG GUAN GAO DI ELECTRONICS CO., LTD**

TOLERANCE UNLESS OTHERWISE STATED:

Up to 5 ±0.2  
 Above 5 ~ 15 ±0.3  
 Above 15 ~ 30 ±0.4  
 Above 30 ~ 50 ±0.5  
 Angle ±0.3°

3RD. ANGEL'S



UNITS

MM

DRAWN BY: Ming Ming Zou  
 DATE: 10/31/13  
 CHECKED BY: Ning Ning Su  
 DATE: 10/31/13  
 APPROVED BY: Jia Xiang  
 DATE: 10/31/13

MAT'L  
 FINISH  
 SCALE: 1:1  
 SHEET NO.: 1 of 1

TITLE: SWITCH+JACK  
 MODLE: AC POWER SOCKET  
 DWG NO.  
 PART NO.

SIZE: A4  
 VER: R

ITEM NO.	DESCRIPTION	DRAWN	DATE